



## *Xtracted Manufacturing Documents*

---

www.mbdcentral.com

3D Annotated CAD DATA at your fingertips

You must have Adobe® Reader® 9.0 or greater to view the 3D features.

[Download Here](#)



### Flat Pattern Document (FPD)

---

[View Tutorial](#)

This PDF is a FLAT PATTERN DOCUMENT (FPD). It contains STEP203 files for both the 3D and Flattened condition. It also contains a full scale drawing with a 10 inch grid pattern for final inspection.

**Contains:**

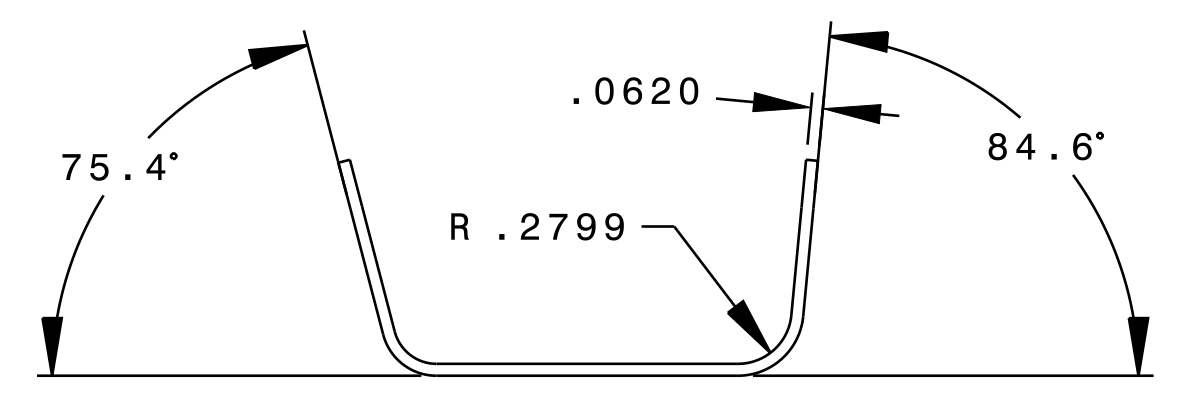
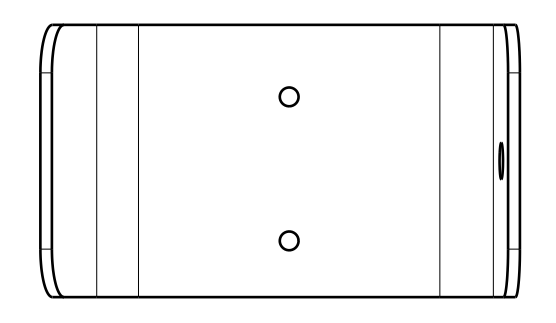
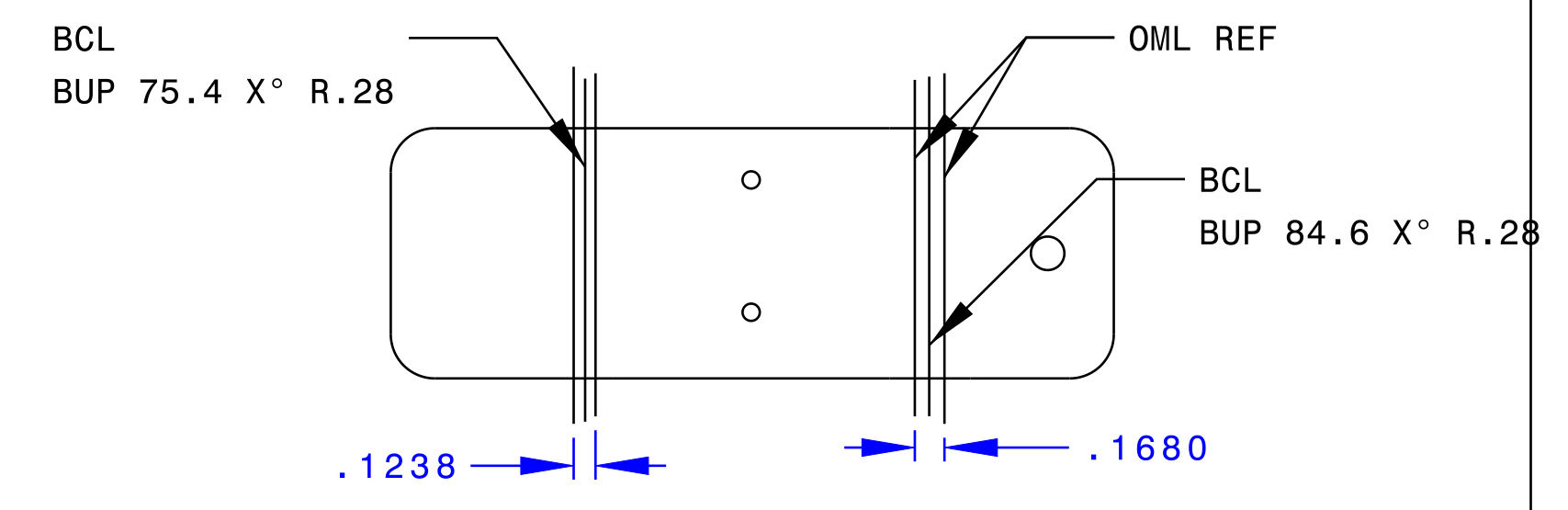
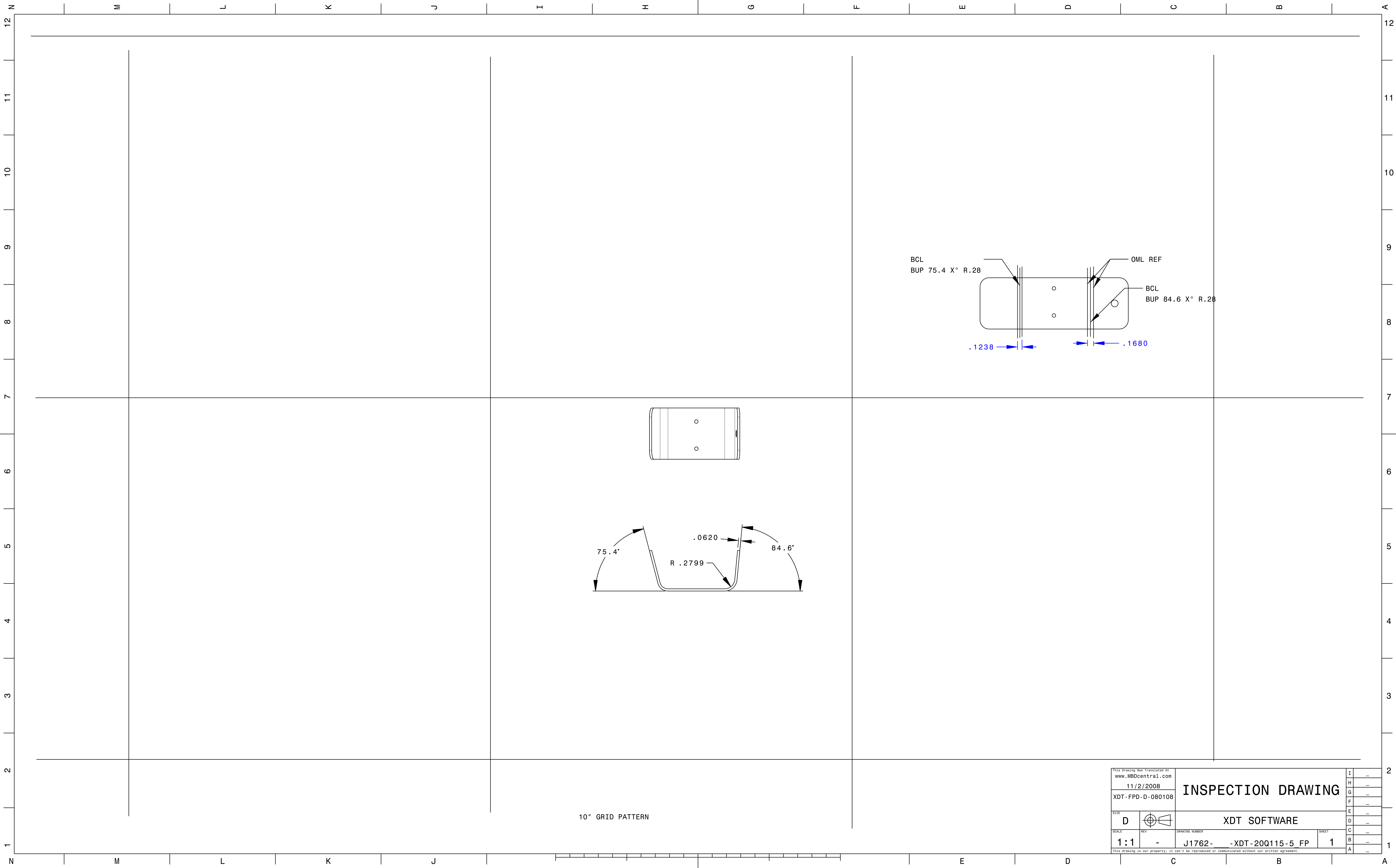
A full scale drawing for plotting/checking

**Attached Files:**

step files containing the 3D formed part and flattened part.

---

**Note:** All Data in this PDF is Derivative Data by XDT Software from the original CAD Data Be sure to use the 3DXMD or Native CAD Data to inspect annotated features.



10" GRID PATTERN

This Drawing Was Translated At www.MBDCentral.com		11/2/2008		INSPECTION DRAWING	
XDT-FPD-D-080108				XDT SOFTWARE	
SIZE	D	REV	1	DRAWING NUMBER	J1762- -XDT-20Q115-5 FP
SCALE	1:1	REV	-	DRWET	1
This drawing is our property; it can't be reproduced or communicated without our written agreement.					

I	-
H	-
G	-
F	-
E	-
D	-
C	-
B	-
A	-