



Xtracted Manufacturing Documents

www.mbdcentral.com

3D Annotated CAD DATA at your fingertips

You must have Adobe® Reader® 9.0 or greater to view the 3D features.

[Download Here](#)



Masking Drawing Document (MDD)

[View Tutorial](#)

This PDF is a Masking Drawing Document (MDD). It contains a 2D drawing with placement dimensions for all masking features to assist with SHot Peening and Painting.

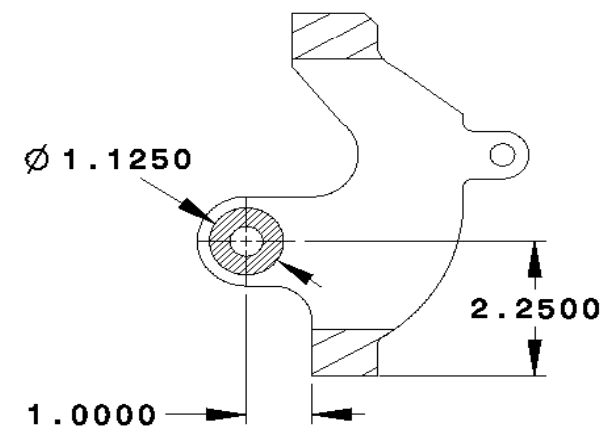
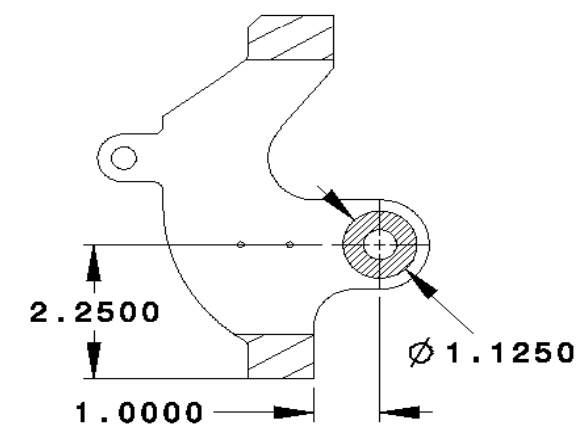
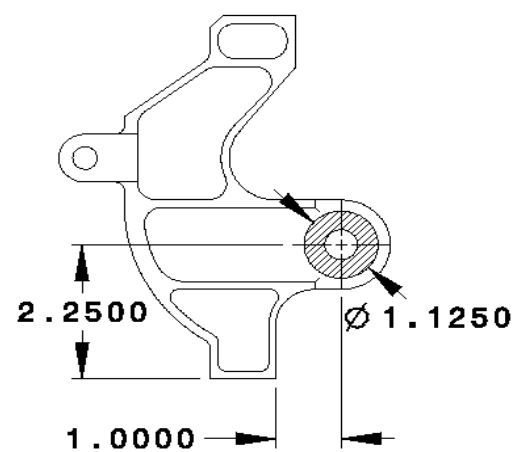
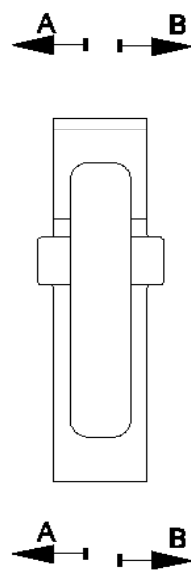
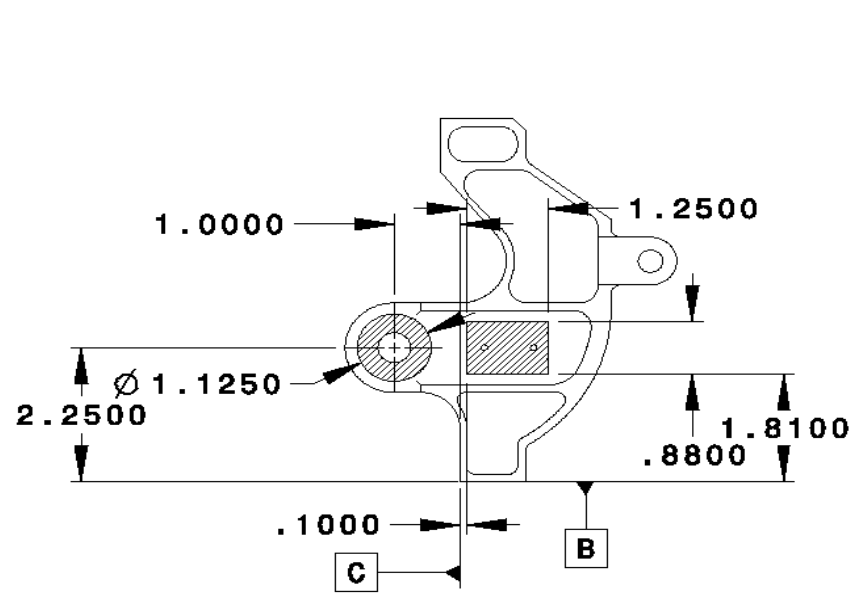
Contains:


2D Drawing suitable for printing

Attached Files:

None



Note: All Data in this PDF is Derivative Data by XDT Software from the original CAD Data Be sure to use the 3DXMD or Native CAD Data to inspect annotated features.



 = MASK AREA

This drawing displays reference dimensions for Part Masking

Note: All data in this PDF is derivative Data by XDT Software from the original CAD data. Be sure to use the original CAD data, or 3DXMD, for 3D annotations (MBD) used for inspection.

	Date	 MASKING DIMENSION DRAWING		
	9/27/08	Size	Drawing Number	Revision
B	J0928	XDT-20Q115-3	-	1/1
Scale: None		s Drawing was translated at www.MBDCENTRAL.com Form: XDT-MASK-08		