



## *Xtracted Manufacturing Documents*

---

www.mbdcentral.com

3D Annotated CAD DATA at your fingertips

You must have Adobe® Reader® 9.0 or greater to view the 3D features.

[Download Here](#)



---

### Assembly Dimension Document (ADD)

[View Tutorial](#)

This PDF is an Assembly Dimension Document (ADD). It contains a 2D drawing showing part callouts, joint definitions and placement dimensions from datums to datums of all parts

**Contains:**

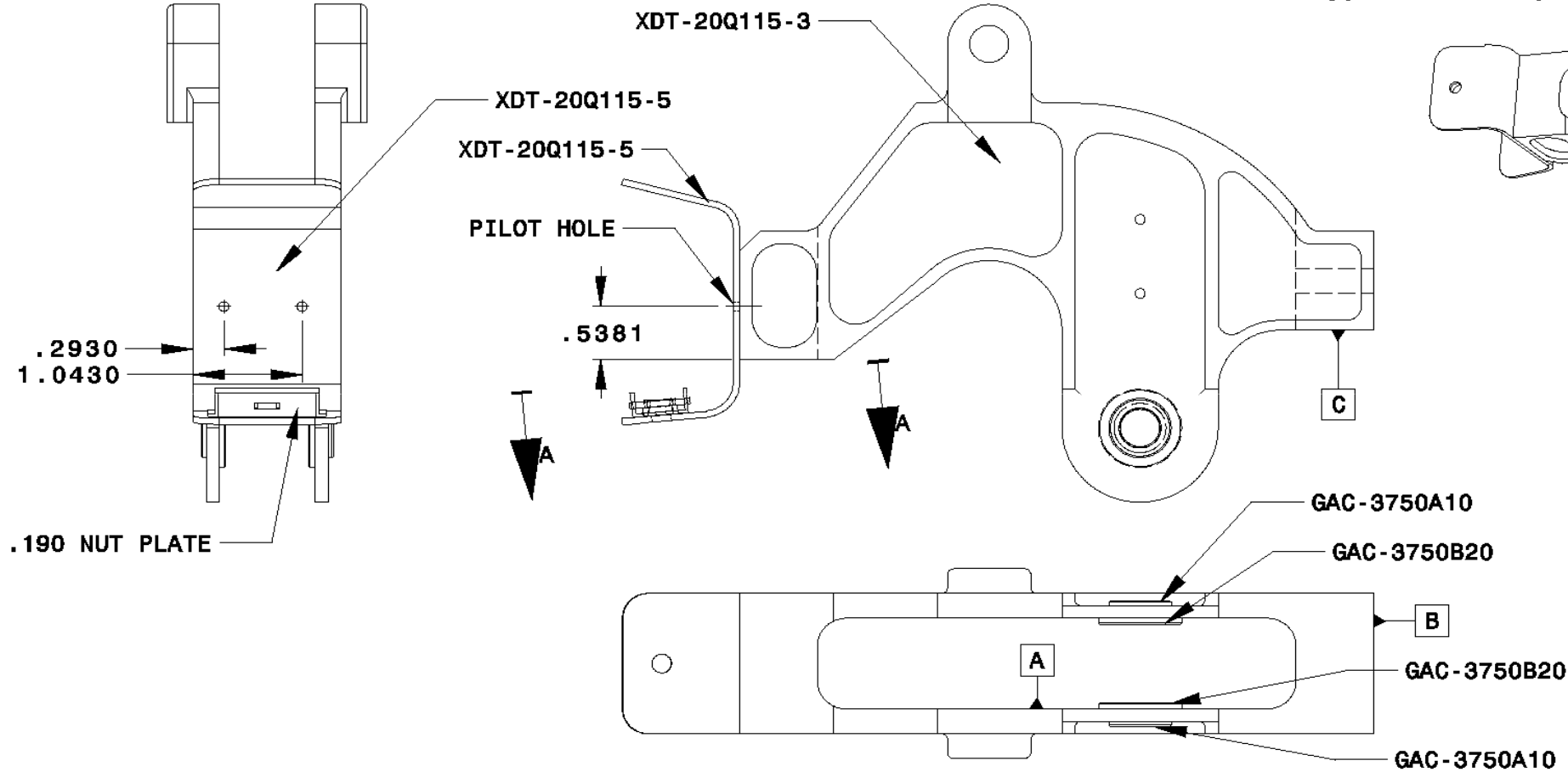
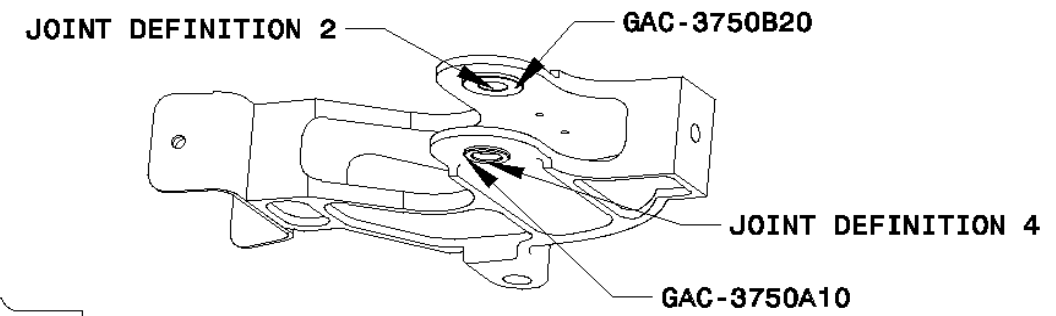
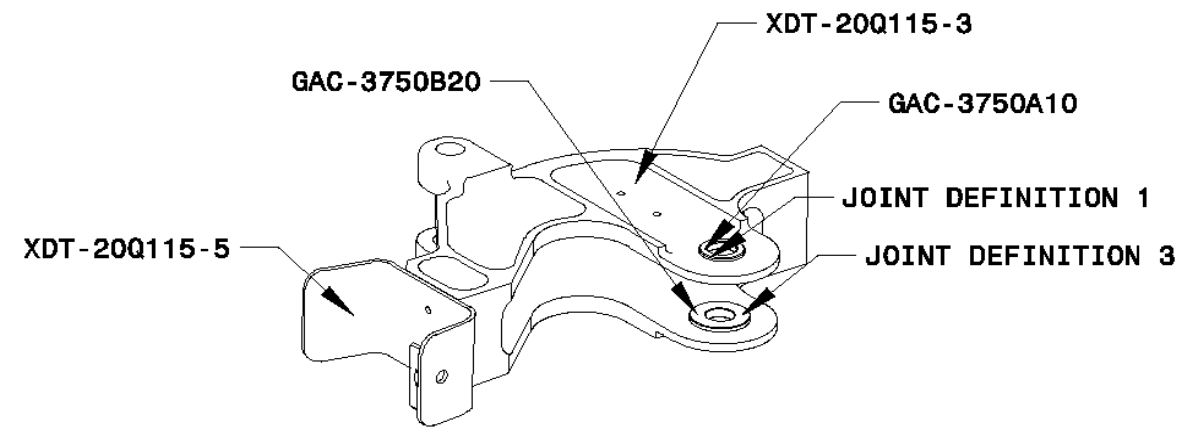
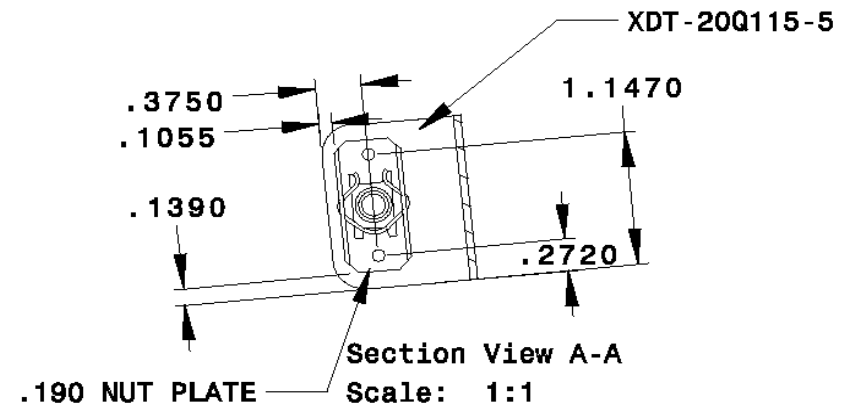
2D Drawing suitable for printing

**Attached Files:**

None

---

**Note:** All Data in this PDF is Derivative Data by XDT Software from the original CAD Data Be sure to use the 3DXMD or Native CAD Data to inspect annotated features.



This drawing displays reference dimensions for In-Process Inspection.

Note: All data in this PDF is derivative Data by XDT Software from the original CAD data. Be sure to use the original CAD data, or 3DXMD, for 3D annotations (MBD) used for inspection.

	Date	<b>REFERENCE DIMENSIONS</b>		
	9/23/08	Size	Tracking	Sheet
<b>B</b>	J0927	Drawing Number	Revision	1 / 1
Scale: None		This Drawing was translated at www.MBDCENTRAL.com   Form: XDT-RD-08/		

- 016 CA\_XDT-20Q115-1\Joint Definitions:\JD1  
JOINT DEFINITION 1: BUSHING INSTALL | DIRECTION TOWARDS DATUM A  
A | STACKUP GAC-3750B20/XDT-20Q115-3 | GAC3520
- 017 CA\_XDT-20Q115-1\Joint Definitions:\JD2  
JOINT DEFINITION 2: BUSHING INSTALL | DIRECTION AWAY FROM DATUM  
M A | STACKUP GAC-3750A10/XDT-20Q115-3 | GAC3520
- 018 CA\_XDT-20Q115-1\Joint Definitions:\JD3  
JOINT DEFINITION 3: BUSHING INSTALL | DIRECTION TOWARDS DATUM A  
A | STACKUP GAC-3750A10/XDT-20Q115-3 | GAC3520
- 019 CA\_XDT-20Q115-1\Joint Definitions:\JD4  
JOINT DEFINITION 4: BUSHING INSTALL | DIRECTION AWAY FROM DATUM  
M A | STACKUP GAC-3750B20/XDT-20Q115-3 | GAC3520